



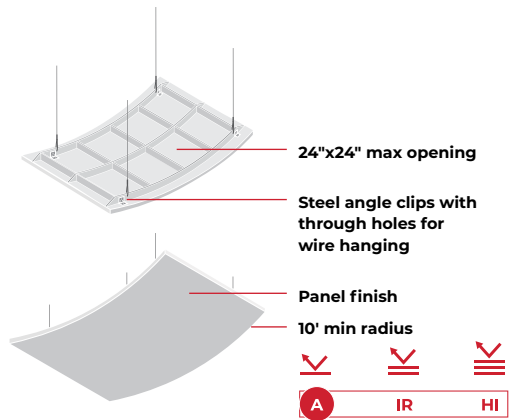
All products made-to-order.

Reflective Curved Cloud

► Specialized CT

Conwed's Specialized products do more, or even the opposite, of traditional noise-absorbing acoustic panels. Reflect, diffuse, block. Specialized CT products have the latest Conwed Technology behind them. We didn't reinvent the wheel here, just made it smoother.

Items to specify



Mounting type

Standard mounting is direct attachment to the wood ribs using aircraft cable.

Finishes

Fabric partners

Carnegie **kvadrat** Guilford of Maine
maharam DESIGNTEX Knoll

Paint



Foundations

Foundations | Painted products can be left unpainted, to be finished in the field.

Wood

High pressure laminate

Corners

■
Square

Edge profile

■ Built-up edges are available to hide hardware, 3" maximum.
Square

Dimensions

Height: Max of 48 inches or custom.
Length: Max of 120 inches or custom.

Click for Word specsheet
conwed.com/wordspecsheet-reflective-curvedcloud

SECTION 098416 ► FIXED SOUND-REFLECTIVE PANELS PART 1—GENERAL

1.1 — SUMMARY

- A. Section includes:
 - Fixed sound-reflective panels.
- B. Related work:
 - The following items are not included in this Section and are specified under the designated Sections:
 - Section 092100 – PLASTER AND GYPSUM BOARD ASSEMBLIES for plaster and gypsum board walls and ceilings.

1.2 — SUBMITTALS

- A. Product data:
 - Submit manufacturer's product data including certified laboratory test reports and other data required to show compliance with these specifications.
- B. Samples:
 - Submit 12"x24" sample of representative panel with factory detailed edge, and representative samples of mounting devices.

1.3 — QUALITY ASSURANCE

- A. Pre-installation conference:
 - Conduct conference at Project site to comply with requirements in Division 01.

1.4 — DELIVERY, STORAGE, AND HANDLING

- A. Project conditions:
 - Protect system components from excessive moisture in shipment, storage, and handling. Deliver in unopened bundles and store in a dry place with adequate air circulation. Do not deliver material to building until wet conditions such as concrete, plaster, paint, and adhesives have been completed and cured to a condition of equilibrium.

1.5 — LIMITED WARRANTY

- A. Limited warranty:
 - Provide manufacturer's standard limited 3-year warranty against manufacturing defects in material or workmanship.



Disclaimer of liability: Technical information contained herein is furnished without charge or obligation and is given and accepted at recipient's sole risk. Conditions of use may vary and are beyond our control, and because of this Conwed makes no representation about, and is not responsible or liable for, the accuracy or reliability of data associated with particular uses of any product described herein.

Click for latest document version
conwed.com/specsheet-reflective-curvedcloud

2.1 — SOUND REFLECTIVE CEILINGS:

A. **Basis-of-Design: Conwed Reflective Curved Clouds**

Formerly known as Conwed Curved Reflective Ceiling Clouds

1. **Construction:** Back-scored 3/4" NAUF (No Added Urea-Formaldehyde) backed by 1 x 1 inch pre-curved metal ribs.
2. **Assembly accessories:** Joining plates for abutting panels for use with proprietary joining and leveling system.
3. **Thickness:** 3/4" substrate with 1"x1" structural tubing.
4. **Width:** Max of 48 inches and custom.
5. **Length:** Max of 120 inches and custom.
6. **Corners:** Square.
7. **Edge profile:** Square.
8. **Fabric finish:** Manufacturer, pattern and color as selected; applied directly over face and edges of panels to provide full finished edge, fully tailored corners. Unfinished high pressure laminate as selected. Painted in color as selected. Real wood veneer as selected.
9. **Mounting type:** Standard, direct attachment to exposed metal frame with self-drilling acoustical hangers.
10. **Flammability (ASTM E 84):** Panel shall have a Class "B" rating per ASTM E84 (excluding real wood veneer).
11. **Acoustical performance:** Values below are for panels mounted in accordance with ASTM C 423 (Type D5 Mounting) and vary by panel thickness and finish.
 - a. **Noise reduction coefficient (NRC)** for 3/4 inch thickness: —.

PART 3 - Execution

3.1 — INSTALLATION:

- A. Verify wet work such as plastering and concrete is complete and dry. Verify building is enclosed and under standard occupancy conditions (60–85°F and not more than 70% relative humidity) prior to start of installation. Commencement of installation constitutes Installer's acceptance of surfaces and conditions.
- B. Install products in accordance with manufacturer's written instructions and in proper relationship with adjacent construction.
- C. Touch-up, repair or replace damaged units until satisfactory results are obtained.

PROJECT ARCHITECT RESPONSIBILITY ►

This is a general specification guide, intended to be used by experienced construction professionals, in conjunction with good construction practice and professional judgment. This guide is to aid in the creation of a complete building specification that is to be fully reviewed and edited by the architect of record (specifier). Sections of this guide should be included, edited, or omitted based on the requirements of a specific project. It is the responsibility of both the specifier and the purchaser to determine if a product or system is suitable for its intended use. Neither Conwed, nor any of its subsidiary or affiliated companies, assume any responsibility for the content of this specification guide relative to actual projects and specifically disclaim any and all liability for any errors or omissions in design, detail, structural capability, attachment details, shop drawings or other construction related details, whether based upon the information provided by Conwed or otherwise.

—END OF SECTION—