



All products made-to-order.

Baffle | Fabric | IR

Product

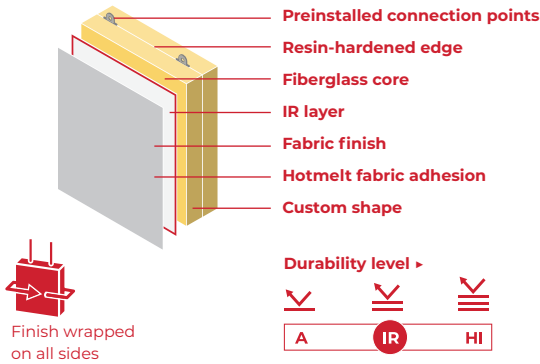
Finish

Durability

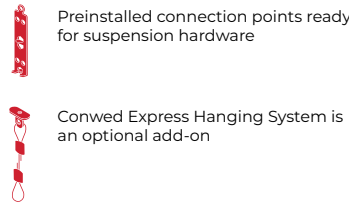
► Respond Series

Conwed Baffles bring the performance you expect from a world-class acoustic solution to the growing trend of baffles. Combined with the Conwed Express Hanging System, any space can be perfectly fitted with highly customizable baffles.

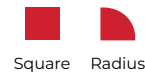
Items to specify



Mounting type



Corners



Edge profile



Core thickness

2" 3" 4"

Hotmelt fabric adhesion

Provides superior bond strength lasting the lifetime of the product. Easily reactivated for field repairs and modification.

Dimensions

Height: Minimum of 6 inches and max of 60 inches or custom.
Length: Max of 144 inches or custom.

Fabric finish

Carnegie **kvadrat** Guilford of Maine
DESIGNTEX **Knoll** maharam

Click for Word specsheet
conwed.com/wordspecsheet-baffle-fabric-ir

SECTION 098436 ► SOUND-ABSORBING CEILING UNITS PART 1—GENERAL

1.1—SUMMARY

- A. Section includes:
Sound-absorbing ceiling units.
- B. Related work:
The following items are not included in this Section and are specified under the designated Sections:
Section 092100 – PLASTER AND GYPSUM BOARD ASSEMBLIES for plaster and gypsum board walls and ceilings.

1.2—SUBMITTALS

- A. Product data:
Submit manufacturer's product data including certified laboratory test reports and other data required to show compliance with these specifications.
- B. Samples:
Submit 8 3/4 x 11 inch (for thicknesses up to 1 1/2 inches) or 11 1/2 x 11 1/2 inch (for thicknesses larger than 1 1/2 inches) samples of representative panel with factory detailed edge, and representative samples of mounting devices.

1.3—QUALITY ASSURANCE

- A. Pre-installation conference:
Conduct conference at Project site to comply with requirements in Division 01.

1.4—DELIVERY, STORAGE, AND HANDLING

- A. Project conditions:
Protect system components from excessive moisture in shipment, storage, and handling. Deliver in unopened bundles and store in a dry place with adequate air circulation. Do not deliver material to building until wet conditions such as concrete, plaster, paint, and adhesives have been completed and cured to a condition of equilibrium.

1.5—LIMITED WARRANTY

- A. Limited warranty:
Provide manufacturer's standard limited 3-year warranty against manufacturing defects in material or workmanship.



Disclaimer of liability: Technical information contained herein is furnished without charge or obligation and is given and accepted at recipient's sole risk. Conditions of use may vary and are beyond our control, and because of this Conwed makes no representation about, and is not responsible or liable for, the accuracy or reliability of data associated with particular uses of any product described herein.

Click for latest document version
conwed.com/specsheet-baffle-fabric-ir

PART 2 - Products

2.1—SOUND ABSORPTIVE PANELS:

A. Basis-of-Design: Conwed Baffle | Fabric | IR

Formerly known as Conwed Respond IR Baffle

1. **Construction:** Composite core construction of dimensionally stable rigid fiberglass, laminated with a 1/8 inch layer of impact-resistant material.
2. **Fiberglass density:** 6 – 7 pcf.
3. **Core laminated** with 3/8 inch layer of impact-resistant material.
4. **Recycled content:** For fiberglass, 52 percent pre-consumer and 5 percent post-consumer recycled content.
5. **Core thickness:** 2 1/4 inches.
6. **Core thickness:** 3 1/4 inches.
7. **Core thickness:** 4 1/4 inches.
8. **Height:** Minimum of 6 inches and maximum of 60, or custom.
9. **Length:** Max of 120 inches and custom.
10. **Corners:** Square.
11. **Edge profile:** Square.
12. **Edge profile:** Half bevel.
13. **Edge treatment:** Resin hardened.
14. **Edge treatment:** Aluminum.
15. **Edge treatment:** High-pressure laminate for square edge only.
16. **Fabric finish:** Manufacturer, pattern and color as selected; applied directly over face and edges of panels to provide full finished edge, fully tailored corners.
17. **Fabric adhesion Conwed Hotmelt is standard for bonding fabric to the substrate.**
18. **Mounting type:** D-Rings.
19. **Mounting type:** Conwed Express Hanging System.
20. **Flammability (ASTM E 84):** Panel components shall have a Class "A" rating per ASTM E 84.
21. **Resistivity to heat or cold:** R-factor of 4.16 per inch of thickness.
22. **Acoustical performance:** Values below are for panels mounted in accordance with ASTM C 423 (Type J Mounting) and vary by panel thickness and finish.
 - a. Standard Sabins per baffle at 125 Hz: —.
 - b. Standard Sabins per baffle at 250 Hz: —.
 - c. Standard Sabins per baffle at 500 Hz: —.
 - d. Standard Sabins per baffle at 1000 Hz: —.
 - e. Standard Sabins per baffle at 2000 Hz: —.
 - f. Standard Sabins per baffle at 4000 Hz: —.

PART 3 - Execution

3.1—INSTALLATION:

- A. Verify wet work such as plastering and concrete is complete and dry. Verify building is enclosed and under standard occupancy conditions (60 - 85°F and not more than 70% relative humidity) prior to start of installation. Commencement of installation constitutes Installer's acceptance of surfaces and conditions.
- B. Install products in accordance with manufacturer's written instructions and in proper relationship with adjacent construction. Touch-up, repair or replace damaged units until satisfactory results are obtained.

PROJECT ARCHITECT RESPONSIBILITY ►

This is a general specification guide, intended to be used by experienced construction professionals, in conjunction with good construction practice and professional judgment. This guide is to aid in the creation of a complete building specification that is to be fully reviewed and edited by the architect of record (specifier). Sections of this guide should be included, edited, or omitted based on the requirements of a specific project. It is the responsibility of both the specifier and the purchaser to determine if a product or system is suitable for its intended use. Neither Conwed, nor any of its subsidiary or affiliated companies, assume any responsibility for the content of this specification guide relative to actual projects and specifically disclaim any and all liability for any errors or omissions in design, detail, structural capability, attachment details, shop drawings or other construction related details, whether based upon the information provided by Conwed or otherwise.

—END OF SECTION—



Disclaimer of liability: Technical information contained herein is furnished without charge or obligation and is given and accepted at recipient's sole risk. Conditions of use may vary and are beyond our control, and because of this Conwed makes no representation about, and is not responsible or liable for, the accuracy or reliability of data associated with particular uses of any product described herein.