



# Field Modification of Panels

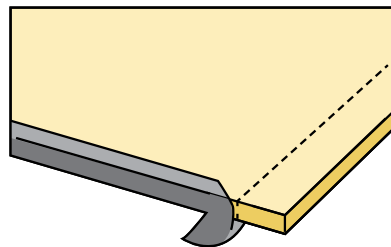
Please note that the Respond product is usually provided in exact custom sizes and shapes such that field alteration is not required. However, there are situations where field cutting is necessary.

The following are guidelines given in good faith to help avoid common errors. They are not intended to be a step-by-step list of instructions or a checklist, and it is assumed the installer has general construction knowledge. Conwed bears no responsibility for any installation actions taken or not taken, and is not responsible for installer selection.

## Field cutting

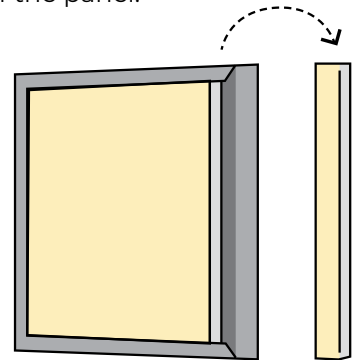
### Step one

Pull back fabric just beyond field cut. Keep as close to field cut point as possible without damaging fabric with field cut.



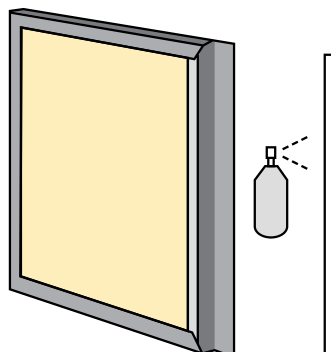
### Step two

Cut and remove excess substrate. A small metal cutting blade works well to cut hardened fiberglass edges. Trim the fabric so it will wrap approximately 2" onto the back of the panel.



### Step three

Cut strips of laminate (Formica), hardboard or similar material to match substrate thickness. Apply to the cut edge with spray adhesive such as 3M Spray 77. This is required for a crisp, uniform fabric edge.



### Step four

Apply spray adhesive to fabric back, panel edge and 2" of panel back. Wrap fabric to back and tailor corners to match unaffected corners using a sharp scissors.

