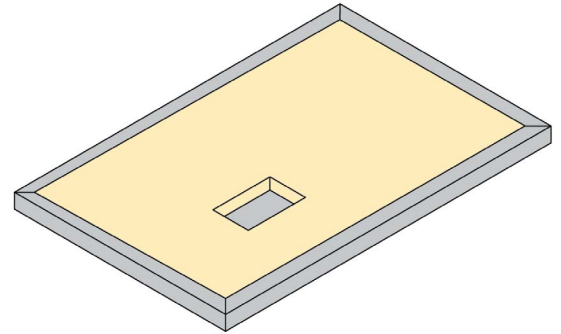




# Field Cutting Pockets

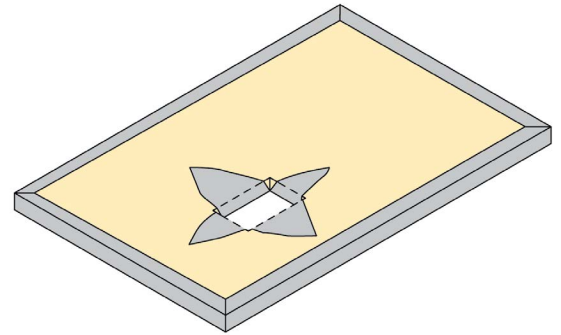
## Step one

- Mark location of penetration on back of acoustic panel.
- Using a utility knife, cut out the panel substrate. DO NOT CUT THROUGH THE FABRIC!
- Remove the panel substrate.



## Step two

- Cut fabric in shape of an "X" and pull fabric through to the back side.
- Spray contact adhesive (3M #74 or #77) onto panel substrate and fabric edges.
- Wrap fabric through cut onto panel back.



**Note** ▶ Conwed recommends the use of a escutcheon plate or trim (by others) for this application.

**Disclaimer:** The following are guidelines given in good faith to help avoid common errors. They are not intended to be a step-by-step list of instructions or a checklist, and it is assumed the installer has general construction knowledge. Conwed bears no responsibility for any installation actions taken or not taken, and is not responsible for installer selection.



Disclaimer of liability: Technical information contained herein is furnished without charge or obligation and is given and accepted at recipient's sole risk. Conditions of use may vary and are beyond our control, and because of this Conwed makes no representation about, and is not responsible or liable for, the accuracy or reliability of data associated with particular uses of any product described herein.