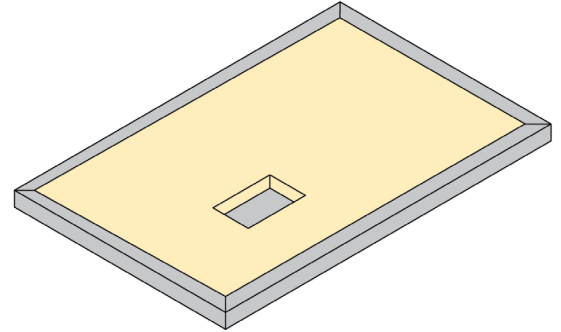




Field Cutting Pockets

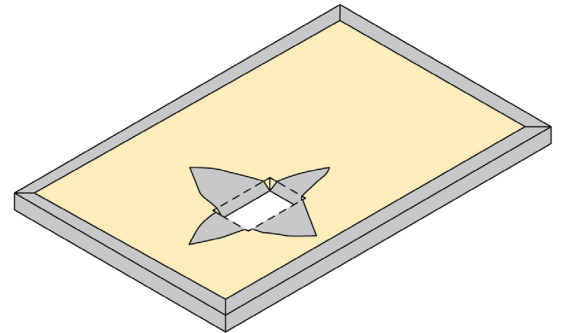
Step one

- Mark location of penetration on back of acoustic panel.
- Using a utility knife, cut out the panel substrate. DO NOT CUT THROUGH THE FABRIC!
- Remove the panel substrate.



Step two

- Cut fabric in shape of an "X" and pull fabric through to the back side.
- Spray contact adhesive (3M #74 or #77) onto panel substrate and fabric edges.
- Wrap fabric through cut onto panel back.



Disclaimer: The following are guidelines given in good faith to help avoid common errors. They are not intended to be a step-by-step list of instructions or a checklist, and it is assumed the installer has general construction knowledge. Conwed bears no responsibility for any installation actions taken or not taken, and is not responsible for installer selection.