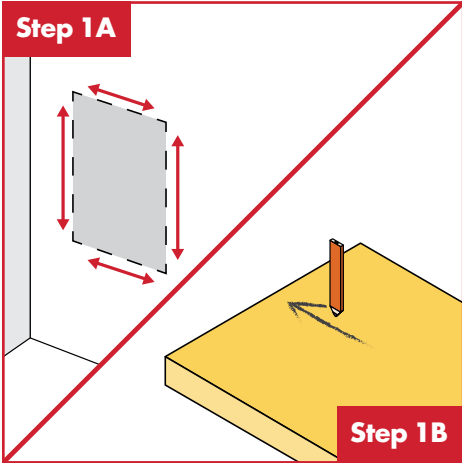


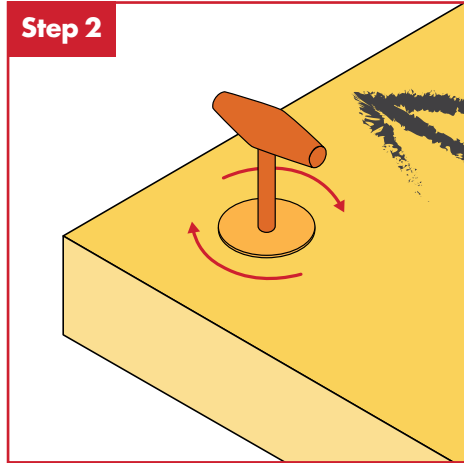


# Rotofast Wall & Ceiling Installation

Rotofast Snap-On Anchors are a secure and fast solution for acoustical panel installation. See [rotofast.com](http://rotofast.com) for the Rotofast Snap-On Anchor installation video. For recommended anchor locations and quantities, please contact Conwed ([cexp@conwed.com](mailto:cexp@conwed.com)).

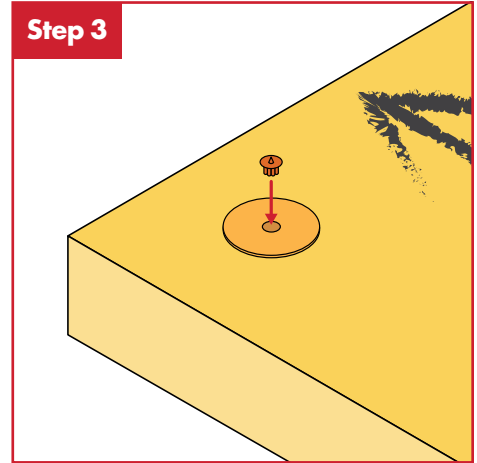


Measure and mark the location where panel will be placed and mark the orientation on the back of the panel.

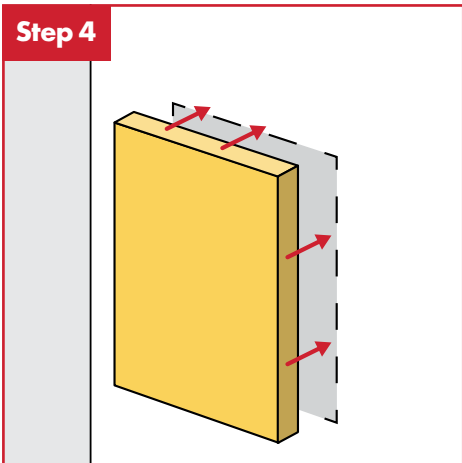


Screw Rotofast Snap-On Anchors into back of the panel using the Rotofast driver tool. For one inch panels, only insert the driver tool halfway into the anchor.\*

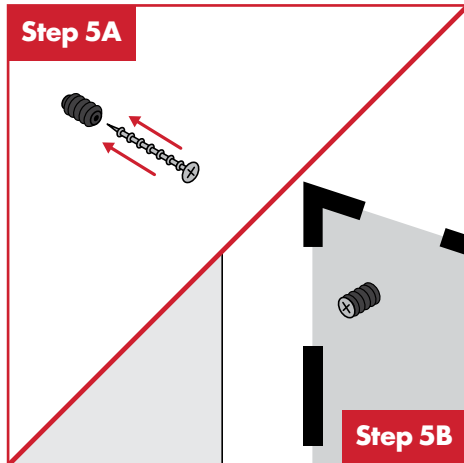
\*Do not overtighten.



Insert reusable marking plugs into the Snap-On anchors. Chalking the top of the marker may help see the mark.

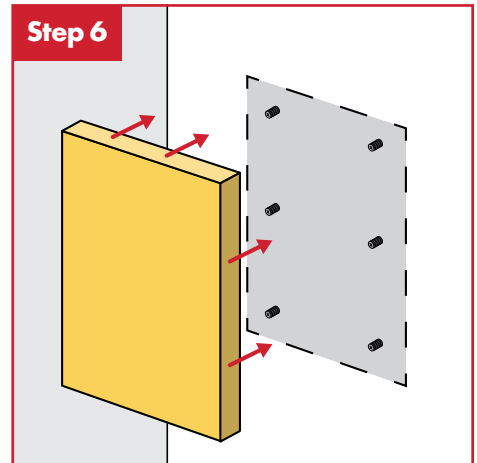


Push panels against surface to mark anchor locations.



Screw ratchets to surface at marked locations. Flat end of ratchet goes against the surface, curved end faces out. #8 screws recommended.\*

\*Hollow wall anchors are recommended for drywall applications



Firmly strike panel onto ratchets to complete the installation.