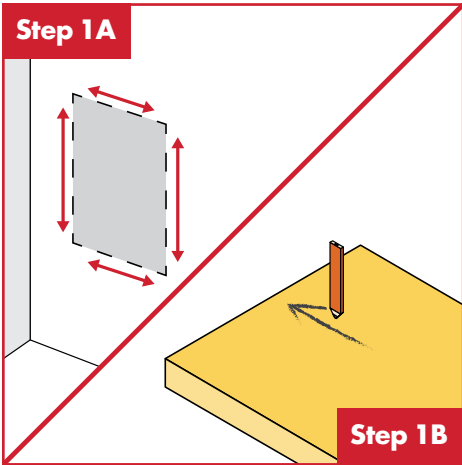


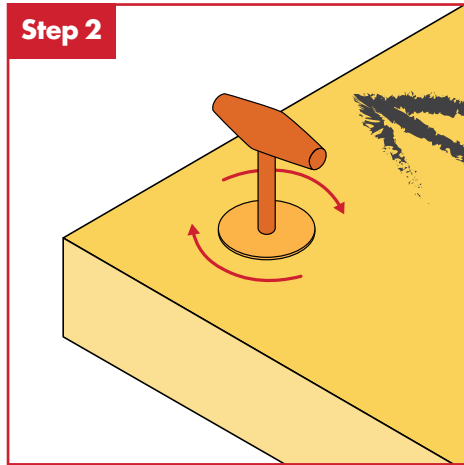


# Rotofast Installation

Rotofast Snap-On Anchors are a secure and fast solution for acoustical panel installation. See [rotofast.com](http://rotofast.com) for the Rotofast Snap-On Anchor installation video. For recommended anchor locations and quantities, please contact Conwed ([cexp@conwed.com](mailto:cexp@conwed.com)).

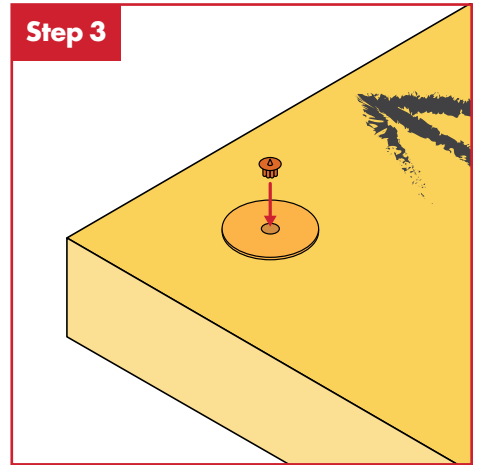


Measure and mark the location where panel will be placed and mark the orientation on the back of the panel.

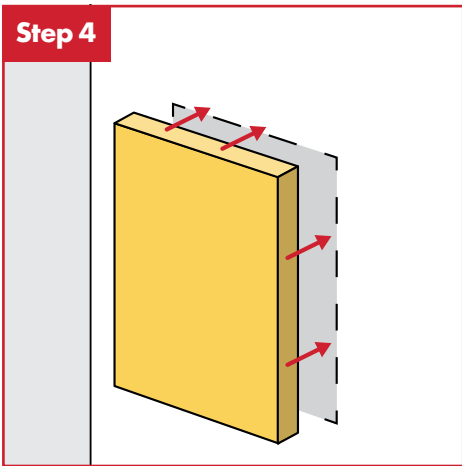


Screw Rotofast Snap-On Anchors into back of the panel using the Rotofast driver tool.\*

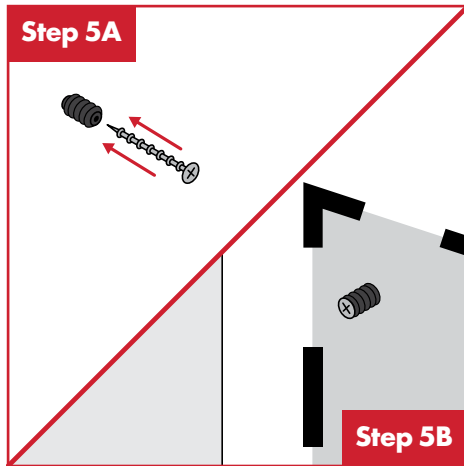
\*Do not overtighten.



Insert reusable marking plugs into the Snap-On anchors.

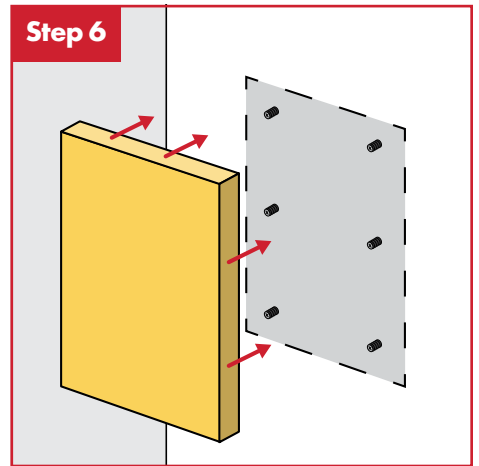


Push panels against wall to mark anchor locations.



Screw ratchets to wall at marked locations. Flat end of ratchet goes against the wall, curved end faces out. #8 screws recommended.\*

\*Hollow wall anchors are recommended for drywall applications



Firmly strike panel onto ratchets to complete the installation.