

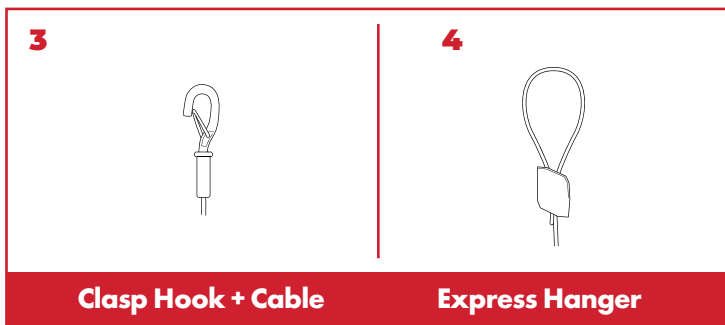
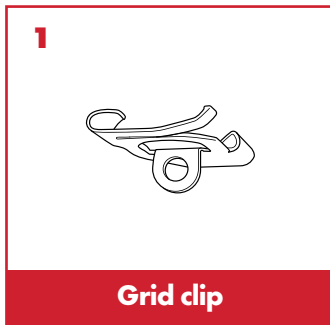
Express Hanging Install Guide

- ▶ **Grid Install**
- ▶ **Open Plenum**

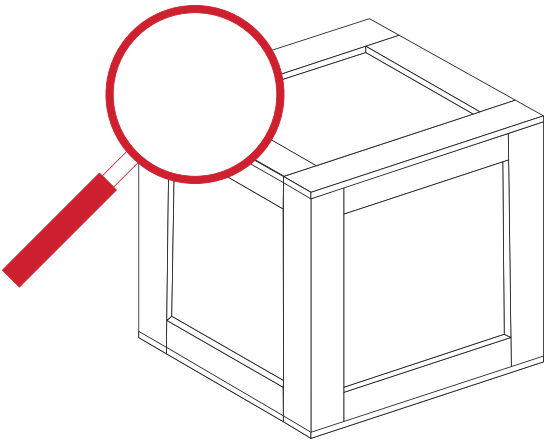
► Grid Install

Part List

Either parts 2 or 3–4 can be used



Inspection ►



1. Freight Damage

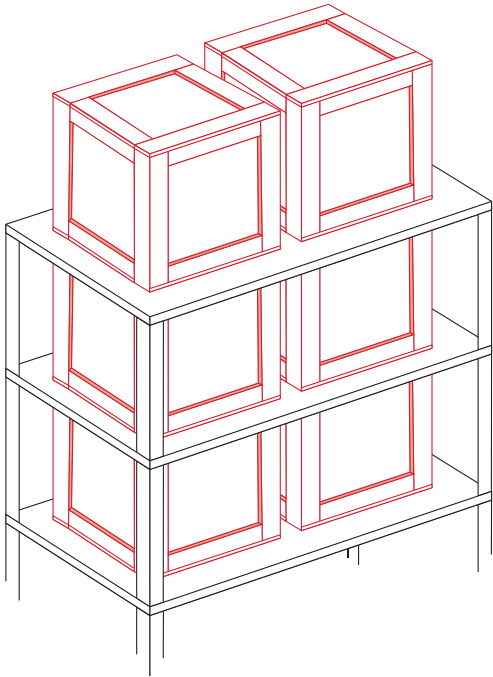
- Inspect cartons for obvious damage before accepting and note on delivery ticket

2. Concealed Damage

- Notify Conwed of any concealed damage within five (5) business days of receipt. Claims beyond five (5) days will be honored at the discretion of Conwed or the freight company.

3. Do not install the system with unacceptable quality.

- Contact your sales representative immediately. Conwed will not be responsible for installation or removal costs of an unacceptable system.



Handling and Storage ►

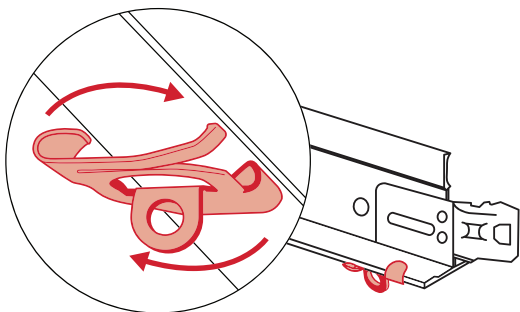
1. Handle system components with care to avoid bending when moving or carrying

2. Store system components on a flat, dry, solid surface. Do not store on edge

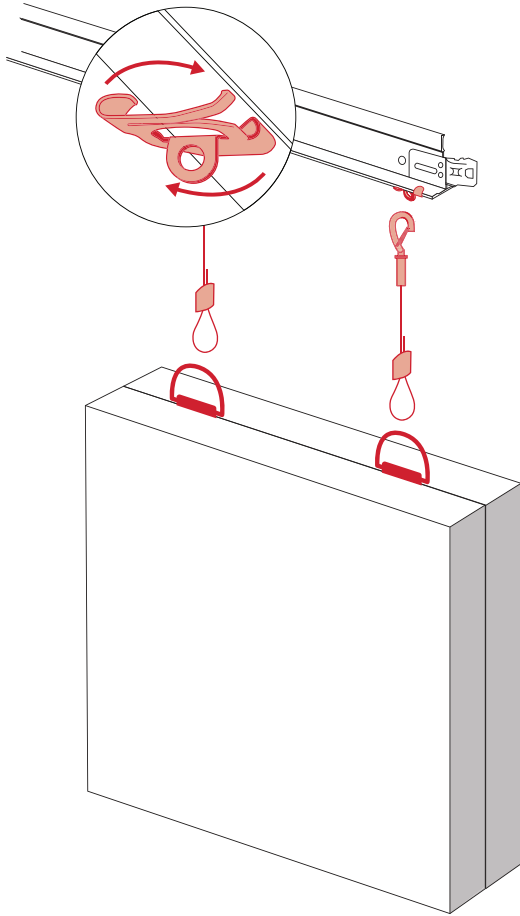
- Take necessary measures to keep the components dry, clean, and free from dust.

3. Installing the Grid Clips

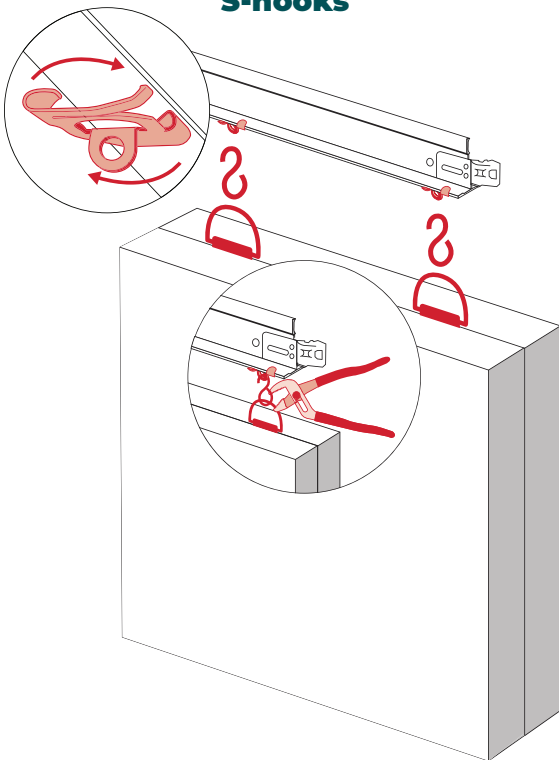
- Review the materials list supplied by Conwed and any drawings. Carefully determine the layout and starting position.
- Confirm mounting location and distance of the baffle to be installed. Twist the grid clips (*part 1*) into position on the grid.
- Continue confirming locations and installing clips to the grid by repeating step b.



Wire Hanging



S-hooks



Installation ►

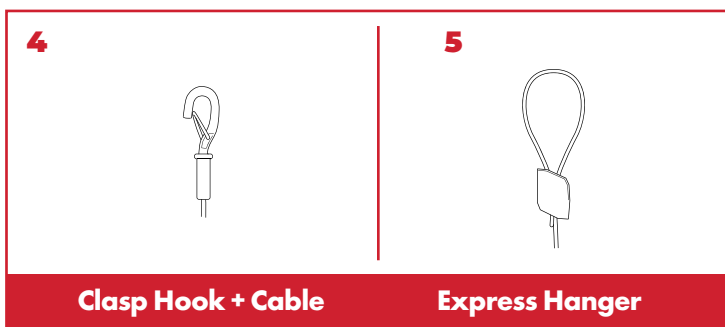
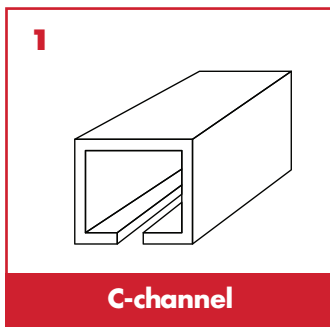
1. Installing the Baffles

- a. Review the materials list supplied by Conwed and any drawings. Carefully note baffle sizes and position in the system.
- b. Gloves are recommended while handling baffles.
- c. If S hooks (*part 2*) are being used for close to the ceiling placement, note alternate instructions below.
- d. Install the hanging wire by hooking the clasp hook (*part 3*) to the grid clip (*part 1*) hole. S hooks (*part 2*) simply get inserted into the grid clip (*part 1*) hole.
- e. Slide the express hanger (*part 4*) up the wire to a position approximately the final baffle position. Do not loop the wire at this time.
- f. Position the baffle under the track and in roughly the correct height and position for the final placement.
- g. Pull the loose end of the wire through the mounting hole or D-ring on the baffle. For S hooks (*part 2*), hook the baffle into place and skip to step l.
- h. Loop the loose end of the wire up and through the express hanger (*part 4*).
- i. Attach all other baffle hanger positions in the same manner.
- j. Adjust grid clip (*part 1*) position if needed.
- k. Squeeze the express hanger (*part 4*) and slide the wires through it until the baffle is at the correct height. Be sure all anchors have the same tension in the wire. A laser level line is helpful for this procedure. For S hooks (*part 2*), close the hook using tongue and groove pliers.
- l. If using wire, trim off excess wire with wire cutters.

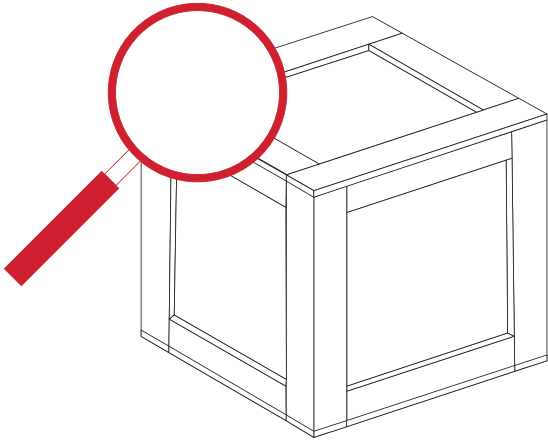
► Open Plenum

Part List

Either parts 3 or 4–5 can be used



Inspection ►



1. Freight Damage

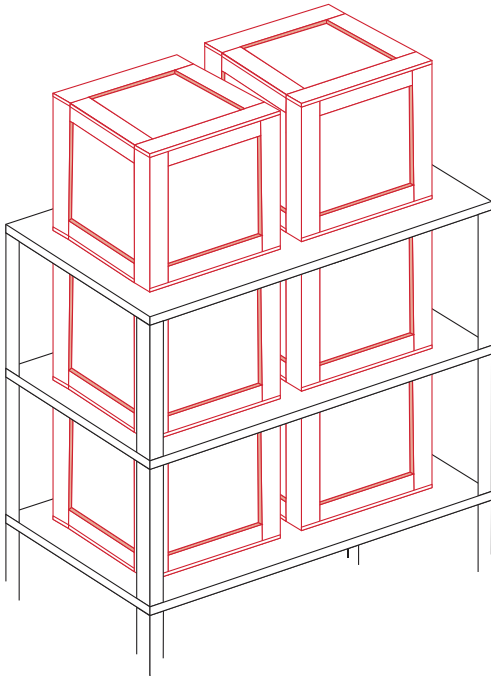
- Inspect cartons for obvious damage before accepting and note on delivery ticket

2. Concealed Damage

- Notify Conwed of any concealed damage within five (5) business days of receipt. Claims beyond five (5) days will be honored at the discretion of Conwed or the freight company.

3. Do not install the system with unacceptable quality.

- Contact your sales representative immediately. Conwed will not be responsible for installation or removal costs of an unacceptable system.



Handling and Storage ►

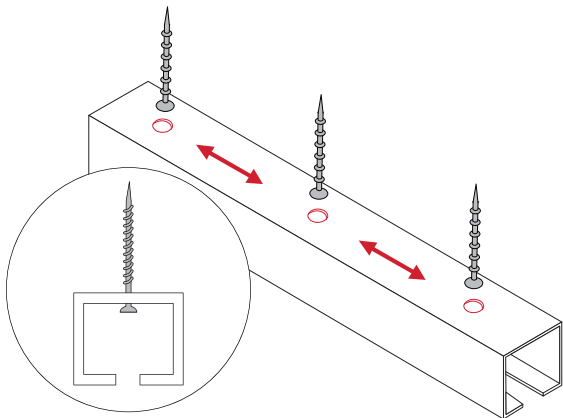
1. Handle system components with care to avoid bending when moving or carrying

2. Store system components on a flat, dry, solid surface. Do not store on edge,

- Take necessary measures to keep the components dry, clean, and free from dust.

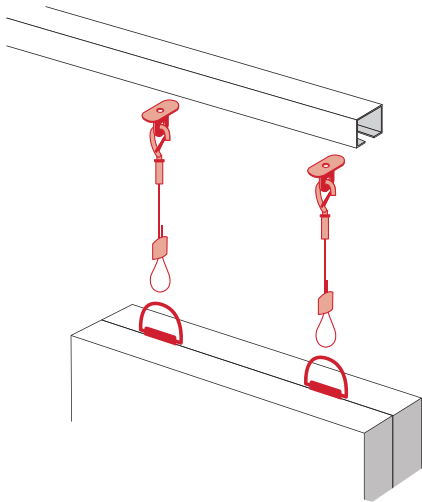
Installation ►

1. Installing the Track

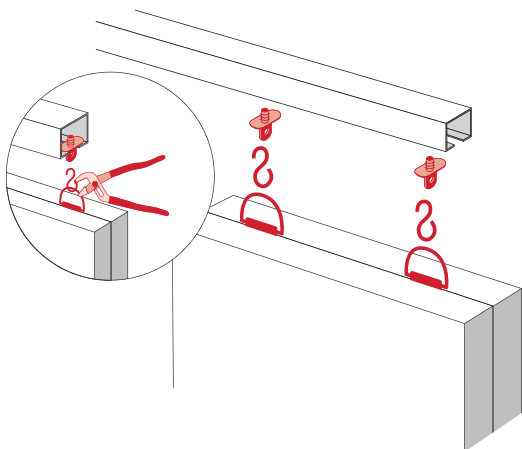


- a. Review the materials list supplied by Conwed and any drawings. Carefully determine the layout and starting position of the first track section.
- b. Using a straight line from a laser line or chalk line, determine mounting points for the c-channel (*part 1*) along the length. Do not space fasteners more than 24 inches apart. Transfer these measurements to the first track section to be installed.
- c. Carefully drill holes through the slide channel using a 3/16 drill size. Be sure to keep the drill centered on the track.
- d. Slide the appropriate number of slide nuts and eye screws (*part 2*) into the track section and lightly tighten the eye screw to hold them in place temporarily.
- e. Screw the track section to the ceiling using appropriate #8 fasteners for the substrate involved.
- f. Continue installing tracks to the ceiling by repeating steps b through e.

Wire Hanging



S-hooks



2. Installing the Baffles

- a. Review the materials list supplied by Conwed and any drawings. Carefully note baffle sizes and position in the system.
- b. Gloves are recommended while handling baffles.
- c. Roughly position the eye screws already installed on the track to roughly the correct position for the baffle placement.
- d. If S hooks (*part 3*) are being used for close to the ceiling placement, note alternate instructions below.
- e. Install the hanging wire by hooking the clasp hook (*part 4*) to the eye screws. S hooks (*part 3*) simply get inserted into the eye screw
- f. Slide the express hanger (*part 5*) up the wire to a position approximately the final baffle position. Do not loop the wire at this time.
- g. Position the baffle under the track and in roughly the correct height and position for the final placement.
- h. Pull the loose end of the wire through the mounting hole or D-ring on the baffle. For S hooks (*part 3*), hook the baffle into place and skip to step k.
- i. Loop the loose end of the wire up and through the express hanger (*part 5*).
- j. Attach all other baffle hanger positions in the same manner.
- k. Loosen and slide the eye screws at the track to position each wire to the final place and tighten the eye screws for the final time.
- l. Squeeze the express hanger (*part 5*) and slide the wires through it until the baffle is at the correct height. Be sure all anchors have the same tension in the wire. A laser level line is helpful for this procedure. For S hooks (*part 3*), close the hook using tongue and groove pliers.
- m. If using wire, trim off excess wire with wire cutters.