



Eurospan[®] Wall System

I. Notes

Thank you for choosing Eurospan[®] as your wall solution. The following instructions will guide you through the installation of your new acoustic walls. Please read through all of the instructions before beginning.

II. Materials Required

- Eurospan[®] approved wall fabric
- Fabric retaining track
- Acoustical core
- 1 ¼" Coarse-thread deck screws or
- ¾" Crown ¾" - 1" long 18 gauge wire staples
- Almond colored caulk (optional)
- 1 ⅝" Coarse-thread drywall screws (yellow zinc preferred)
- 1 ⅝" Thick thread drywall laminating screws (as needed)

III. Tools Required

- Safety glasses
- Power miter saw
- Measuring tape
- Step ladder to reach wall
- Power screwdriver or pneumatic stapler
- Scissors
- Cotton gloves (provided)
- Drywall/utility knife with heavy duty extension and straight edge (as needed)
- Dust mask for cutting acoustic core
- Eurospan[®] fabric tuck tool

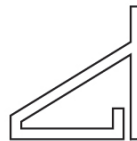
Profiles of Fabric Retaining Track



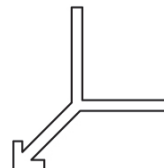
Perimeter



Mid-Seam



Edge Tuck



Outside Corner

Disclaimer: The following are guidelines given in good faith to help avoid common errors. They are not intended to be a step-by-step list of instructions or a checklist, and it is assumed the installer has general construction knowledge. Conwed bears no responsibility for any installation actions taken or not taken, and is not responsible for installer selection.

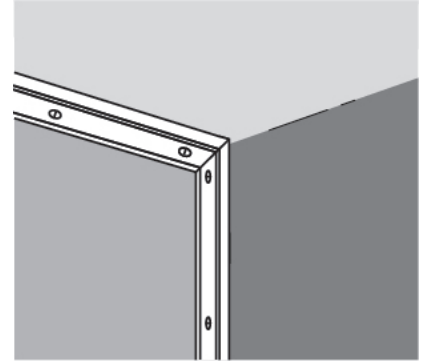


Eurospan® Wall System

IV. Basic Instructions for a Flat Wall

Installing the Fabric Retaining Track to an Existing Drywall Wall

1. Choose one corner of the room to start installing the perimeter track. Make a 45° miter cut on the first track piece and place firmly against the wall making sure the fabric retaining channel is next to the ceiling. Using 1 3/4" screws attach the track to the wall every 2 to 3 inches or staple it every 3/4 to 1 inches. NOTE: It is extremely important not to exceed the required spacing so that the track does not bend under tension from the fabric. This will result in an uneven reveal line next to the wall and finished ceiling.



2. Butt and align the next piece of track to the first to create a smooth joint transition, again making sure the fabric retaining channel is next to the wall, and attach to the wall. The track sections need to be completely and tightly aligned with each other to provide a seamless finish. Light sanding may be required to get tracks even. Continue this process around the perimeter of the wall making miter cuts at each corner.

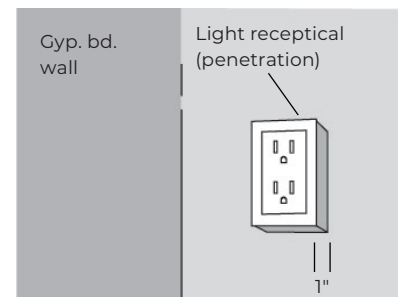
3. Use mid-seam track to create inside corners between walls (Fig. 1).

4. If mid-seam tracks are required to accommodate fabric width restrictions, make two 45° miter cuts to create a point on the end of the mid-seam track near the ceiling and floor. Install the mid-seam track with screws or staples. Attach the perimeter track next to the mid-seam track by making 45° miter cuts and butting it against the mid-seam track. Make sure to plan your lay-out ahead, figuring for the widths of the mid-seam track to make sure all the final seams end up in the correct locations.

5. Furring strip can be used to prep a wall with an existing open stud wall in lieu of an existing gypsum board walls. Coordinate all penetration distance off the track base out to the fabric finish depth of 1".

Set Level of Penetrations

6. Penetrations such as light boxes, recepticals, smoke detectors, and vents need to be brought out so that their finished trim level is flush with the finished depth of the Eurospan® fabric. If Eurospan® is being installed to an existing wall, penetrations need to be spaced out to 1" from the existing wall.



7. Blocking is not needed in most situations. Eurospan® fabric is self supporting and will retain its shape at these penetrations. Note, the openings for these penetrations are cut out after the Eurospan® fabric is fully stretch in place.

8. For larger circular penetrations or rectangular penetrations there are a few options for finishing. The fabric can be stapled to a wood frame built around the penetration opening at the finished depth of the Eurospan® fabric, and finished with the penetration standard trim. Or the Eurospan® perimeter/ top load track can be installed around the penetration opening to hold the fabric in place at the finished depth. See the special situations section for instructions on bending the track.



Eurospan® Wall System

IV. Basic Instructions for a Flat Wall (continued)

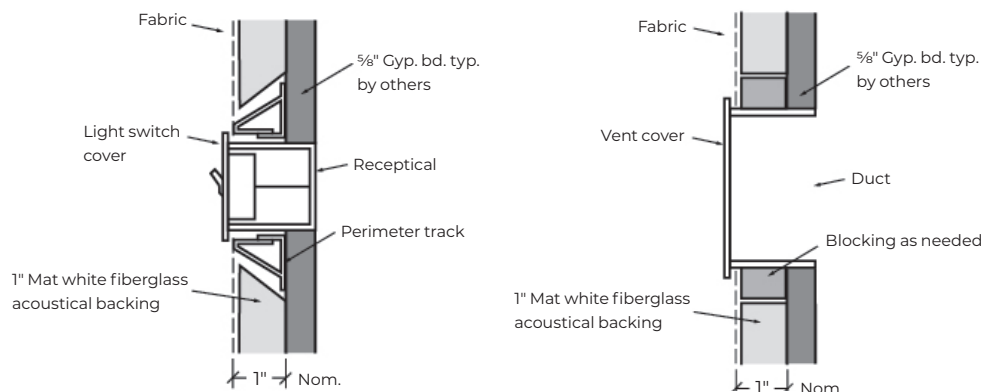
Installing the Acoustic Core (continued)

9. Back cut the acoustical panel to fit tight in the track.

10. Starting in one corner of the room, butt the acoustic panel next to the track on both the wall and ceiling. Fasten the panel in place with 1 5/8" screws on 16" centers.

11. Butt the next panel against the installed panel, making sure to make the joint as tight as possible. Continue this process until the entire wall is covered with acoustic panels. Use the matt knife or drywall knife, straight edge, and dust mask to cut any panels to size. Be sure to keep the joints as tight as possible to both the track and to adjacent panels.

12. Once all of the panels are installed, fill the seams with a light coating of the almond caulk. This will prevent the seams from being visible through the installed fabric.



Note: These are general details of a receptacle and vent. Coordination is needed to properly space and secure the actual receptacle, and other penetration to the proper finished depth of the Eurospan fabric.

Installing Fabric

13. Before unpacking fabric, clean the workspace thoroughly to protect the fabric from getting soiled.

14. Use the provided white gloves when handling the fabric during installation.

15. For the initial part of hanging the fabric. Start in one corner on a wall, drape 3 to 4 inches of fabric over the tuck tool and insert into the perimeter channel of the retaining track along the top of the wall. Remove the tuck tool from the track and the fabric should be held in place.

16. Moving down the wall, alternate from side to side tucking a tools length of the fabric in the track every 1 ft. Finish by tucking the final side of the fabric into the remaining track. The fabric should now be loosely hanging from the wall.

17. Return to the ceiling and tuck the fabric in every 6 inches. Repeat this process for the remaining three sides. At this point, check to be sure the fabric is square with the wall and that it will reach all corners of the wall.



Eurospan® Wall System

IV. Basic Instructions for a Flat Wall (continued)

Installing Fabric (continued)

18. In order to start tensioning the fabric, start on a long side and remove a small portion of the fabric from the track. Pull the fabric tight and re-insert. Continue this process down the length of the track. Move to the opposite side and repeat this process, adding more tension as you go. Be sure to keep the fabric square.

19. Repeat Step 17 for the final two sides.

20. Repeat steps 17 and 18 until the desired tension is achieved and the fabric is completely tucked into the channel.

21. Trim the excess fabric hanging next to the track leaving only ½ to 1 inch of material. Using the tuck tool, push this excess fabric into the self-storing track.

Fabric Penetrations

22. To cut out openings, start in the center and cut out toward a slightly smaller opening than the penetration is to be. Then push/stretch the fabric up around the trim flange of the penetration of the light, sprinkler, smoke detector, etc. Adjust the depth of the trim ring or cover trim to depth height. This creates the final finish look at most penetrations.

V. Special Situations

Inside and Outside Corners

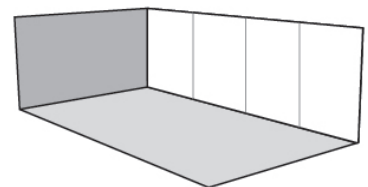
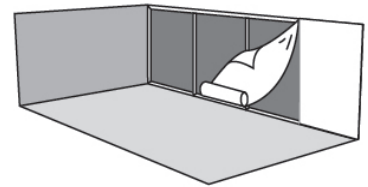
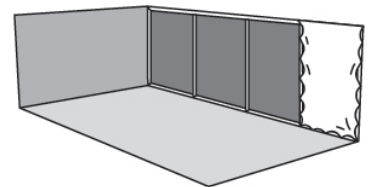
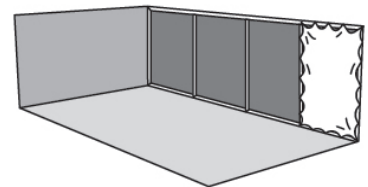
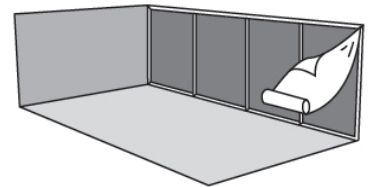
Inside and outside corners can be created using Eurospan® to accommodate horizontal wall sections, beams, and duct work. Mid-seam track can be used for making an inside corner (Fig. 1) and outside corner track is also available (Fig. 2). The only requirement is that there must be a structure that will support the track. For example, to enclose a duct, a wood frame can be constructed around the duct to which the track can be attached.

Angled Walls (Fig. 3)

At the base of the angled wall, wood blocking is required to square the perimeter tensioning track to the wall. At the other side of the wall, wood blocking or edge tuck track can be used to square the track.

Immovable Penetrations

In order to install Eurospan® around an immovable obstacle, a seam must be created. The seam is created by installing mid-seam track from the obstacle to the nearest track. The installation is carried out as described in the basic instructions to tension the fabric on three of the walls. Once the fabric is tight against the obstacle on one side, the fabric is cut and wrapped around the post. Tuck the fabric into the fourth track and the mid-seam track to finish the wall.





Eurospan® Wall System

V. Special Situations (continued)

Creating Curves

Eurospan® can be installed on curved walls or in curved shapes by bending the track. In order to curve the track, multiple kerfs can be cut into the perimeter or mid-seam track. To cut kerfs only use a plywood blade. Set the saw depth so that each kerf is the same depth. Use wood blocking on the saw back to help position the saw blade correctly. Kerf the track every 1 ¼" and keep the spacing even for an even flex. Use masking tape on the installed track to stop visual bleed through of the kerfs.

Creating a Finished/Exposed Edge (Fig. 4)

For installations where the fabric wall is not extended to a wall, a finished edge can be created to hide the fabric retaining track. There are two ways that a finished edge can be created.

A. Edge Tuck Track: Instead of using perimeter track for the exposed edge, the edge tuck track can be substituted. This track allows the fabric to be tucked parallel to the wall concealing the track.

B. Fabric Wrapped Edge: A narrow piece of fabric (3–4") can be installed between the track and the wall with the excess fabric on the tuck side. Tuck the excess fabric into the track to create a fabric wrapped edge.

Fig. 1

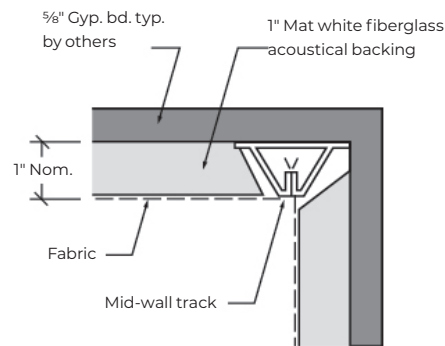


Fig. 2

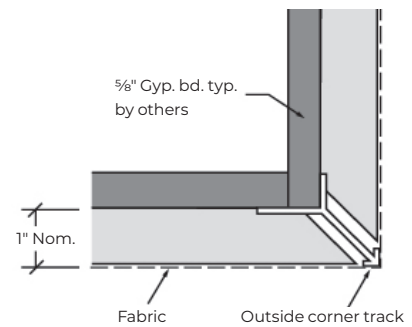


Fig. 3

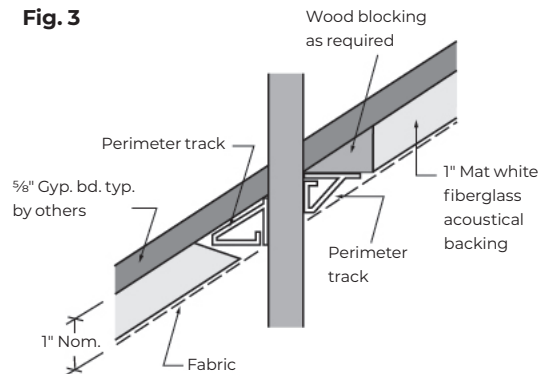


Fig. 4

