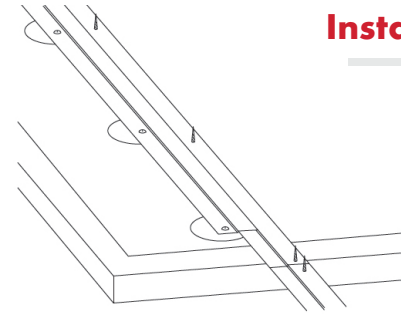




# Z-Bar to Z-Bar

## Wall & Ceiling Mounting



## Install Guide

### I. Handling & Storage

- Clean white gloves must be used whenever handling ceiling panels.
- Store panels on a flat, dry, solid surface. Do not store on edge.
- Keep panels dry, clean and free from dust and damage.

### II. Planning the Install

1. Review the materials list supplied by Conwed (Plant Order) and any drawings. Carefully determine the starting position of the first panel. Note markings on panel back include item number from packing list, then panel tag number.
2. In many cases, standing the panels against walls in numbered sequence is helpful.
3. Note that a minimum  $\frac{3}{4}$ " clearance at the panel top is required for Z-Bar engagement.

### III. Installing Z-Bars

4. Measure the Z-Bar locations on the back of the panels and transfer to the wall. Chalking the Z-Bars and pressing panels to the wall or ceiling can help with location.
5. Use a laser or snap a line using Z-Bar locations to provide a Z-Bar locating guide.
6. Install Z-Bars using appropriate mechanical fasteners for the mounting surface. Cut Z-Bars to desired lengths, and use drops as needed.
7. Fir out hardware to compensate for uneven walls/ceilings, assuring proper face alignment.
8. Install panel by holding against wall and lowering into place to engage clips. Ensure that all Z-Bars are engaged.
9. Add a 'dab' of adhesive to mating Z-Bar surfaces to prevent unwanted movement.
10. For ceiling applications ensure panels are positively locked to prevent disengagement. Some common examples used in the field are as follows: Install single pieces or continuous runs of standard ceiling grid wall angle along the edge of the panels, or purchase fabric-covered angle; install wood trim along the panel edges; install a locking screw (by others) into the ceiling at the outside panel edge. Use a drywall screw into a ceiling joist or a screw-wall anchor combination.

**Disclaimer:** The following are guidelines given in good faith to help avoid common errors. They are not intended to be a step-by-step list of instructions or a checklist, and it is assumed the installer has general construction knowledge. Conwed bears no responsibility for any installation actions taken or not taken, and is not responsible for installer selection.