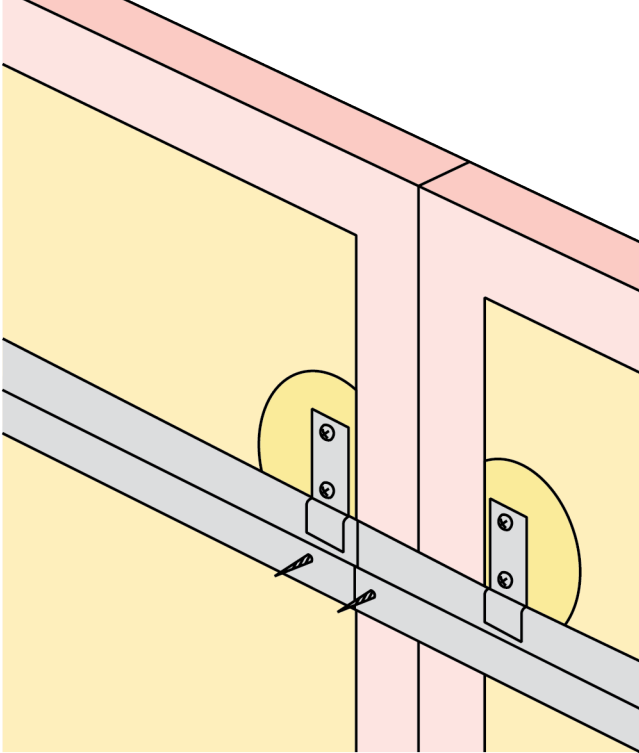


z-clip to z-bar



The following are guidelines given in good faith to help avoid common errors. They are not intended to be a step-by-step list of instructions or a checklist, and it is assumed the installer has general construction knowledge. Conwed bears no responsibility for any installation actions taken or not taken, and is not responsible for installer selection.

Handling and storage

- Handle individual panels 'on edge' to avoid bending when moving and carrying.
- Store panels on a flat, dry, solid surface. Do not store on edge.
- Take necessary measures to keep panels dry, clean and free from dust. Pay special attention to edges.

Planning the Install

- 1** Review the materials list supplied by Conwed (Plant Order) and any drawings. Carefully determine the starting position of the first panel. Note markings on panel back include item number from packing list, then panel tag number.
- 2** In many cases, standing the panels against walls in numbered sequence is helpful.
- 3** Note that a minimum $\frac{3}{4}$ " clearance at the panel top is required for Clip engagement.

Installing z-clips to z-bar

- Measure the Z-Clip locations on the back of the panels and transfer to the wall. Chalking the clips and pressing panels to the wall can help with location.
- Use a laser or snap a line using Z-Clip locations to provide a wall bar locating guide.
- Install Z-Bars using appropriate mechanical fasteners for the mounting surface. Cut Z-Bars to desired lengths, and use drops as needed.
- Fir out hardware to compensate for uneven walls, assuring proper face alignment.
- Install panel by holding against wall and lowering into place to engage clips. Ensure that all Z-Clips are engaged.
- Add a 'dab' of adhesive to mating Z-Clip surfaces to prevent unwanted movement.

